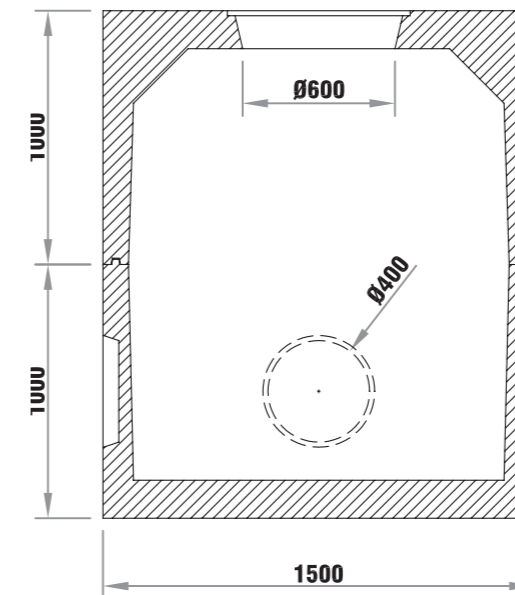


PLAN VIEW
 SCALE: 1:25

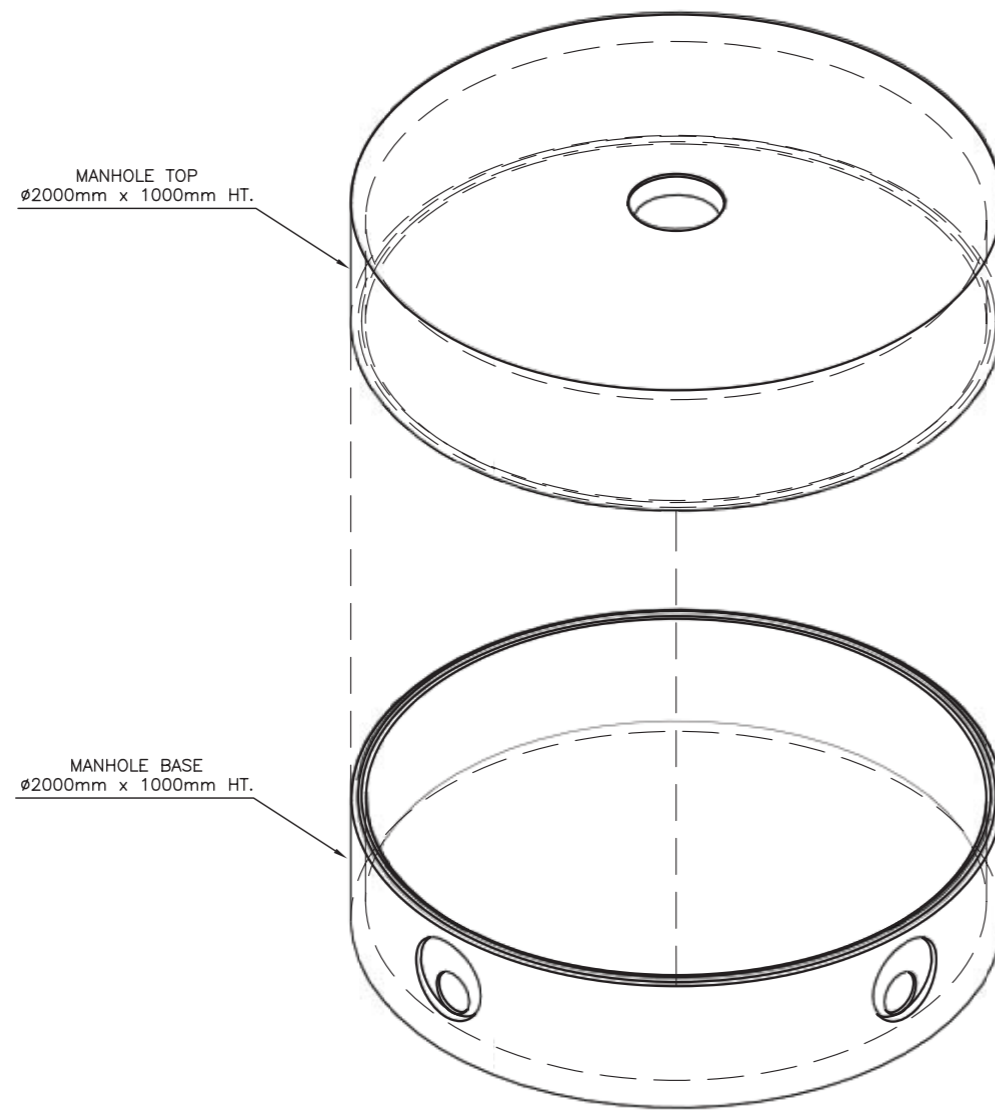


SECTION BOTTOM
 SCALE: 1:25

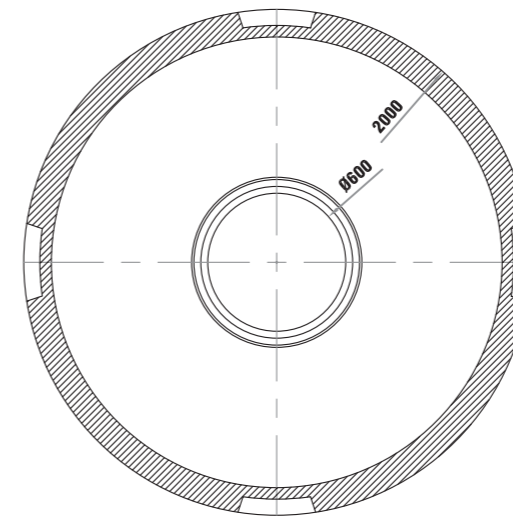
NOTE : DIMENSIONS IN MM

1500 mm ϕ MANHOLE
 SCALE : NTS

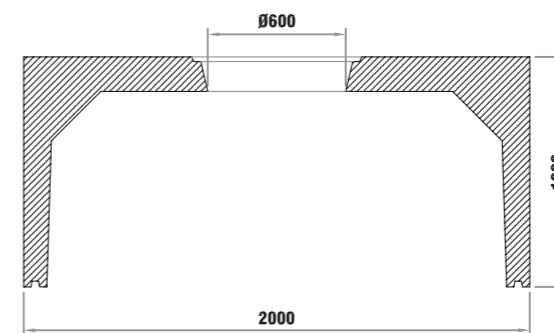
© SEPTTECH EMIRATES 1997. THIS DRAWING IS COPYRIGHT AND IS THE PROPERTY OF SEPTTECH EMIRATES. IT MAY NOT BE COPIED, REPRODUCED OR USED WHOLLY OR IN PART IN ANY WAY WITHOUT THE WRITTEN PERMISSION OF SEPTTECH EMIRATES.



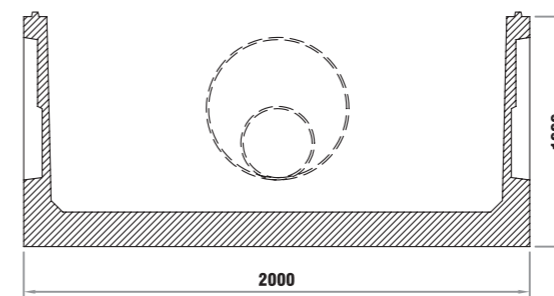
ISOMETRIC VIEW
SCALE : N T S



PLAN VIEW
SCALE: 1:25



SECTION TYPE-TSMH 1000
SCALE: 1:25



SECTION TYPE-BSMH 1000
SCALE: 1:25

NOTE : DIMENSIONS IN MM

2000 mm Ø MANHOLE
SCALE : N T S

© SEPTTECH EMIRATES 1997. THIS DRAWING IS COPYRIGHT AND IS THE PROPERTY OF SEPTTECH EMIRATES. IT MAY NOT BE COPIED, REPRODUCED OR USED WHOLLY OR IN PART IN ANY WAY WITHOUT THE WRITTEN PERMISSION OF SEPTTECH EMIRATES.